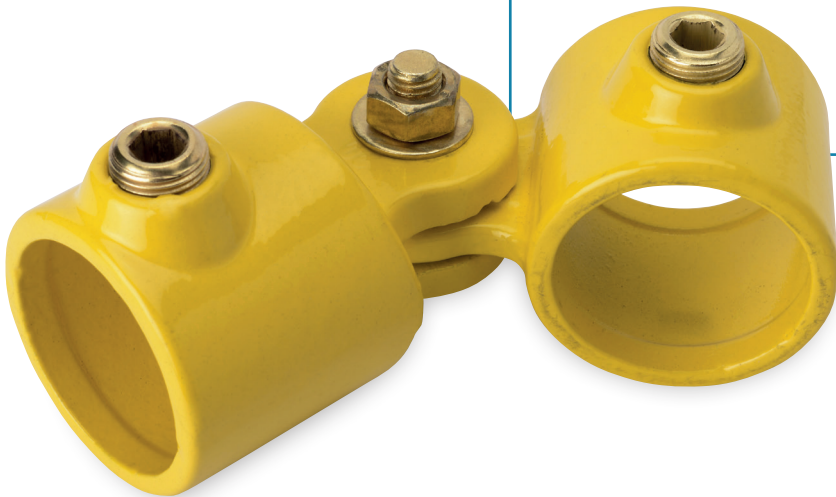
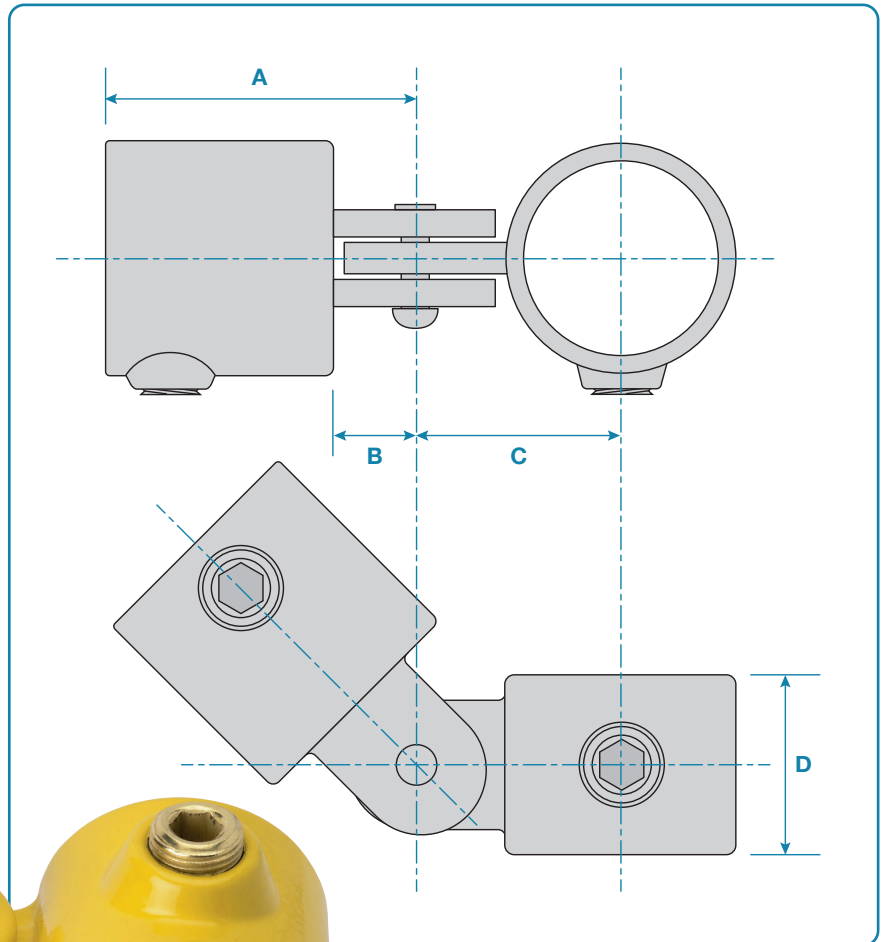


A single swivel combination fitting, the swivel has a travel of approximately 85° from the horizontal in both vertical directions. This fitting combines a 173M and a 173F. This clamp does not allow tubes to be joined within the fitting.
NOT DESIGNED TO WITHSTAND LOADS.



Please Note: Dimensions for guide only. Components may vary slightly from the sizes shown.

Updated: 30-07-2024

Code	A	B	C	D	Weight
KCY173B	72mm	22mm	44mm	39mm	0.58kg
KCY173C	73mm	22mm	49mm	45mm	0.82kg
KCY173D	78mm	22mm	52mm	45mm	0.96kg