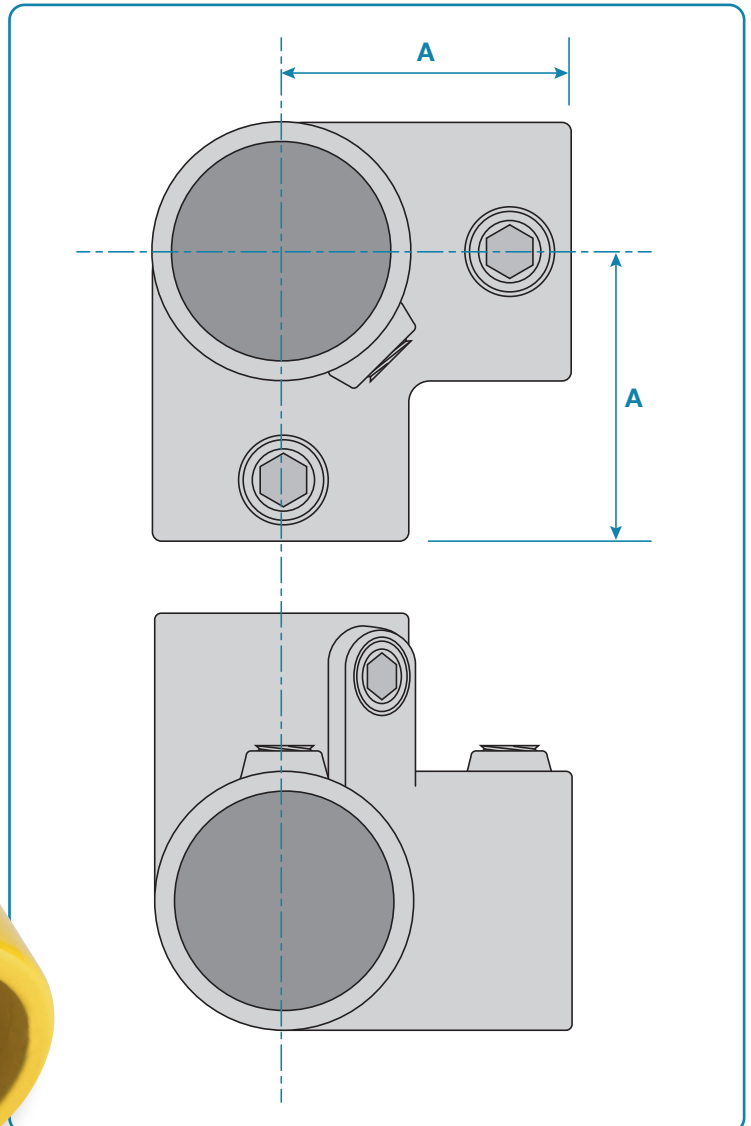
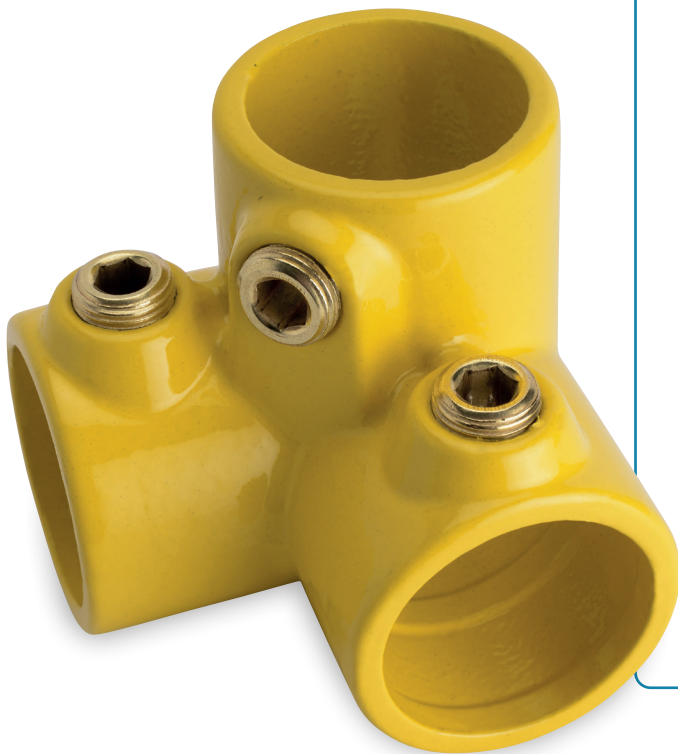


A three way enclosed 90° corner joint, typical use is on straight and level guardrail for connecting the top rails to the vertical at a 90° corner. It can also be used to create enclosed corner joints on other rectangular structures.



Please Note: Dimensions for guide only. Components may vary slightly from the sizes shown.

Updated: 30-07-2024

Code	A	Weight
KCY128B	48mm	0.51kg
KCY128C	60mm	0.84kg
KCY128D	68mm	1.11kg