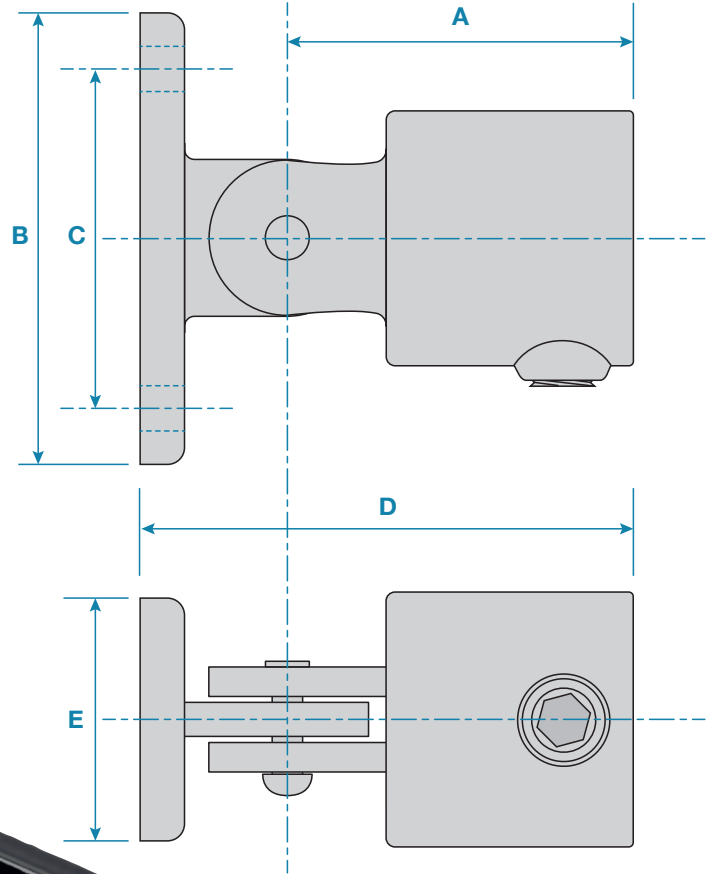


A swivel fitting, ideal for fitting angled tubes to walls, the swivel has a travel of approximately 85° from the vertical in each direction, it should never be used as base fitting for guardrail systems.
NOT DESIGNED TO WITHSTAND LATERAL LOADS.



Please Note: Dimensions for guide only. Components may vary slightly from the sizes shown.

Updated: 30-07-2024

Code	A	B	C	D	E	Hole dia.	Weight
KCK169C	70mm	112mm	85mm	102mm	52mm	11mm	0.86kg