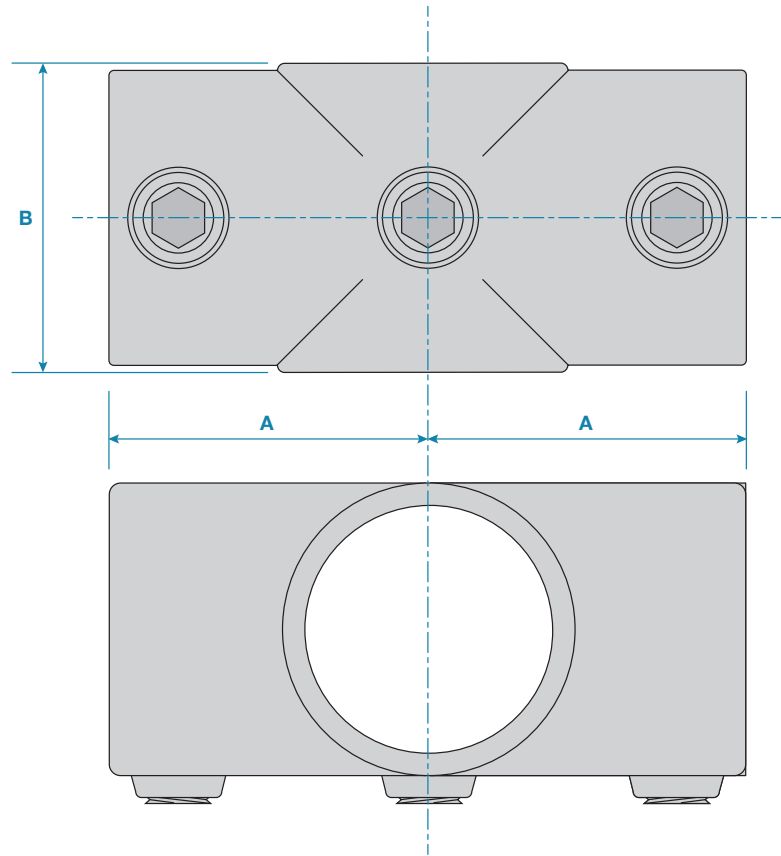


A 90° joint between a vertical and 2 horizontal rails, typical use is on straight and level guardrails for connecting the mid/ lower rail to the vertical. The vertical must remain continuous with the cross rails being cut.



Please Note: Dimensions for guide only. Components may vary slightly from the sizes shown.

Updated: 10-07-2024

Code	A	B	Weight
KCK119C	60mm	59mm	0.64kg