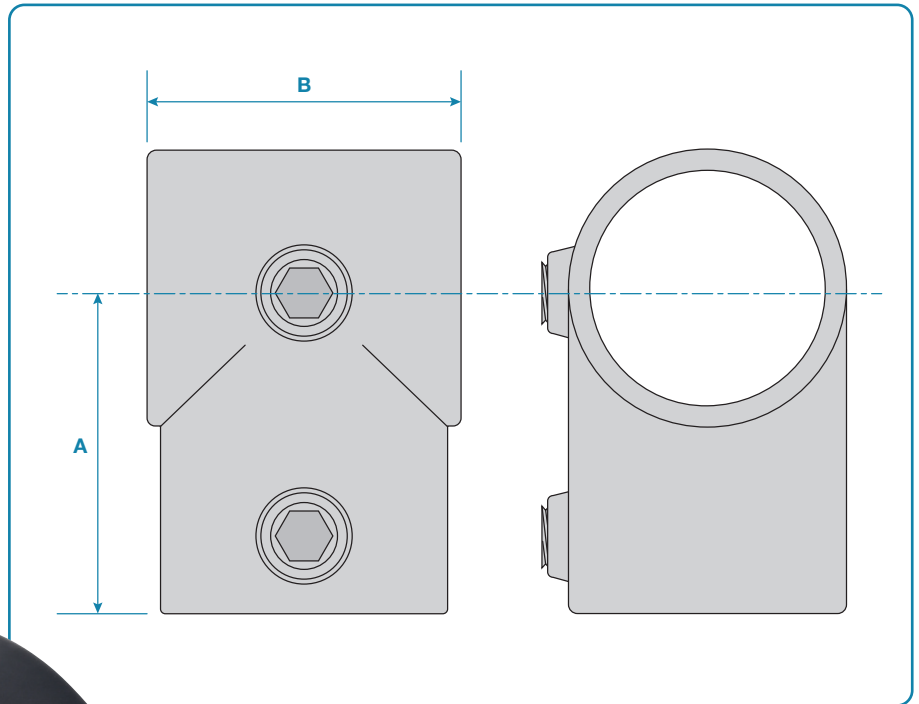


A 90° short tee connection between 2 tubes, typical use is on straight and level guardrail to connect the vertical post to the top rail or end/mid rail.

It cannot be used to join tubes in the top of the short tee, to join tubes use the 104 long tee.



Please Note: Dimensions for guide only. Components may vary slightly from the sizes shown.

Updated: 30-07-2024

Code	A	B	Weight
KCK101C	60mm	59mm	0.48kg