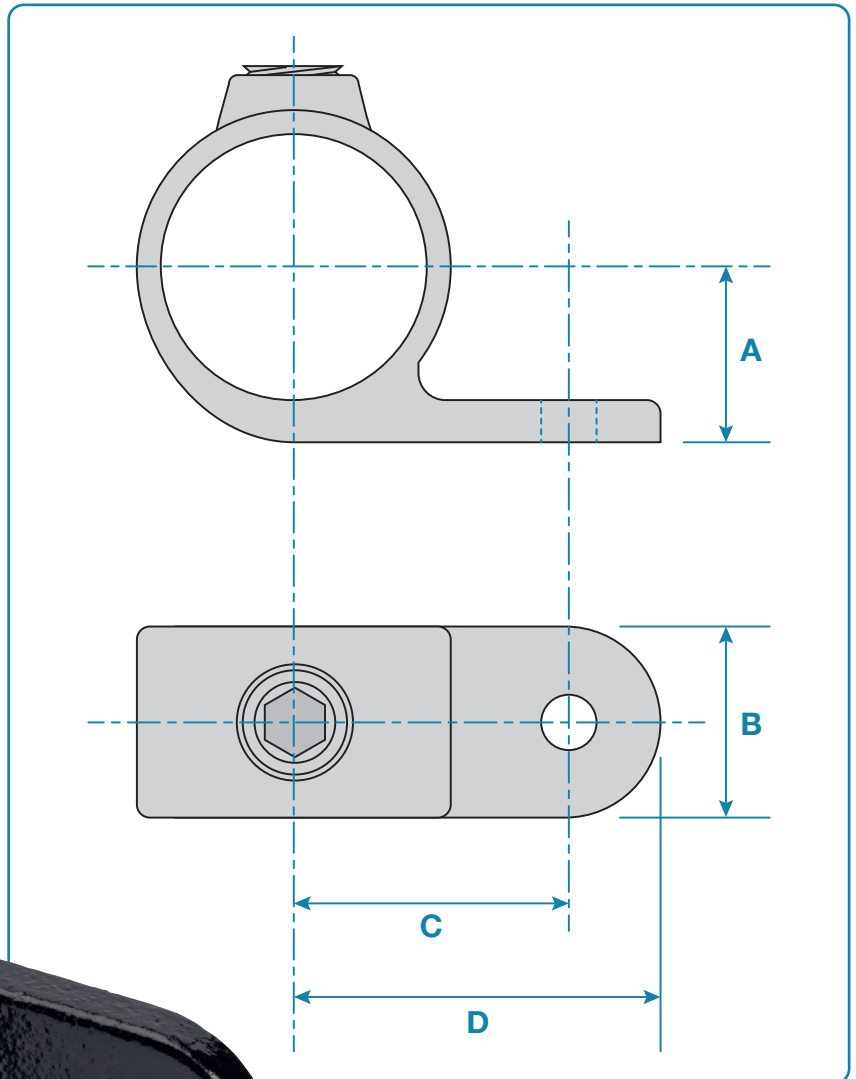


A single lugged fixing bracket, normally used to fix boards or display panels almost flush to the tube. This clamp does not allow tubes to be joined within the fitting.



Please Note: Dimensions for guide only. Components may vary slightly from the sizes shown.

Updated: 30-07-2024

Code	A	B	C	D	Weight
KCE199B	26mm	32mm	44mm	60mm	0.24kg