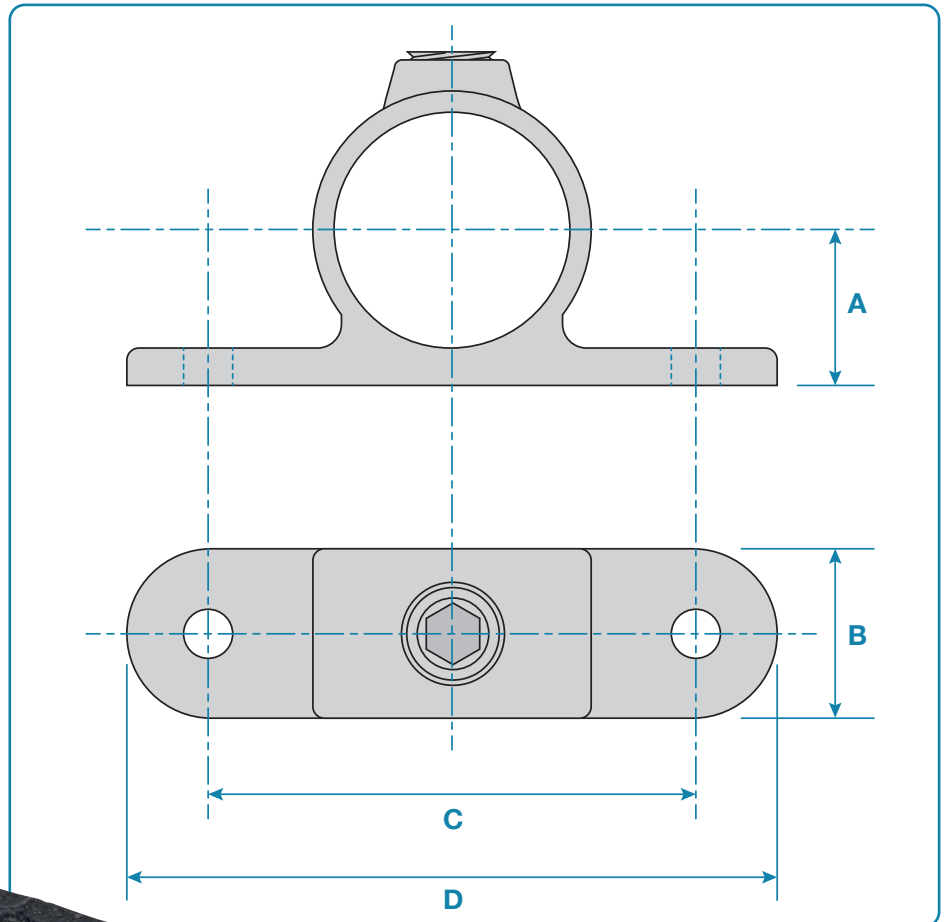


A double lugged fixing bracket, normally used to fix boards or display panels almost flush to the tube. This clamp does not allow tubes to be joined within the fitting.



Please Note: Dimensions for guide only. Components may vary slightly from the sizes shown.

Updated: 30-07-2024

Code	A	B	C	D	Hole dia.	Weight
KCE198B	26mm	32mm	88mm	120mm	10mm	0.32kg