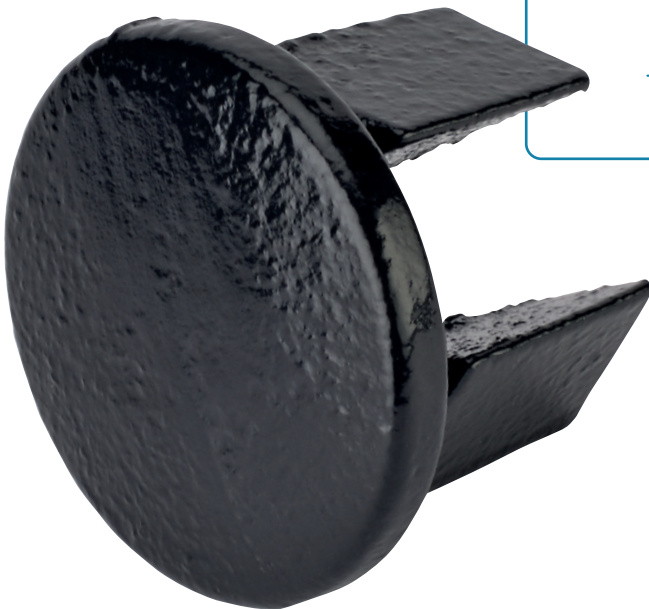
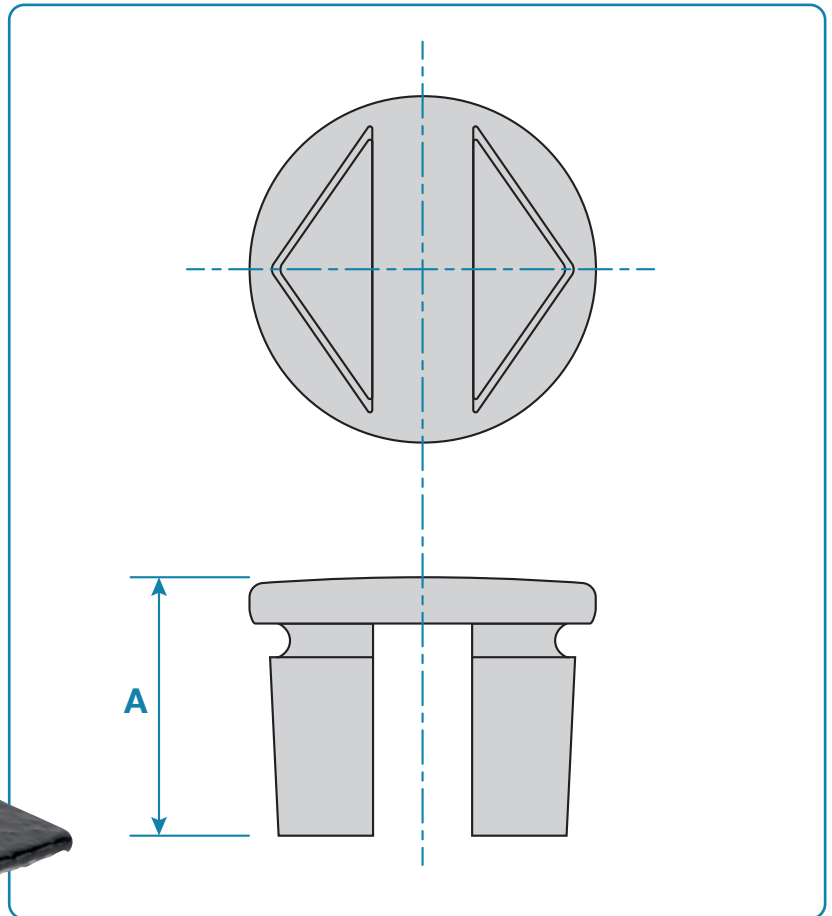


A metal stop end cap for sealing the open ends of tubes, It is a drive in fit that is difficult to remove, no need for adhesive.



Please Note: Dimensions for guide only. Components may vary slightly from the sizes shown.

Updated: 30-07-2024

Code	A	Weight
KCE184B	26mm	0.08kg