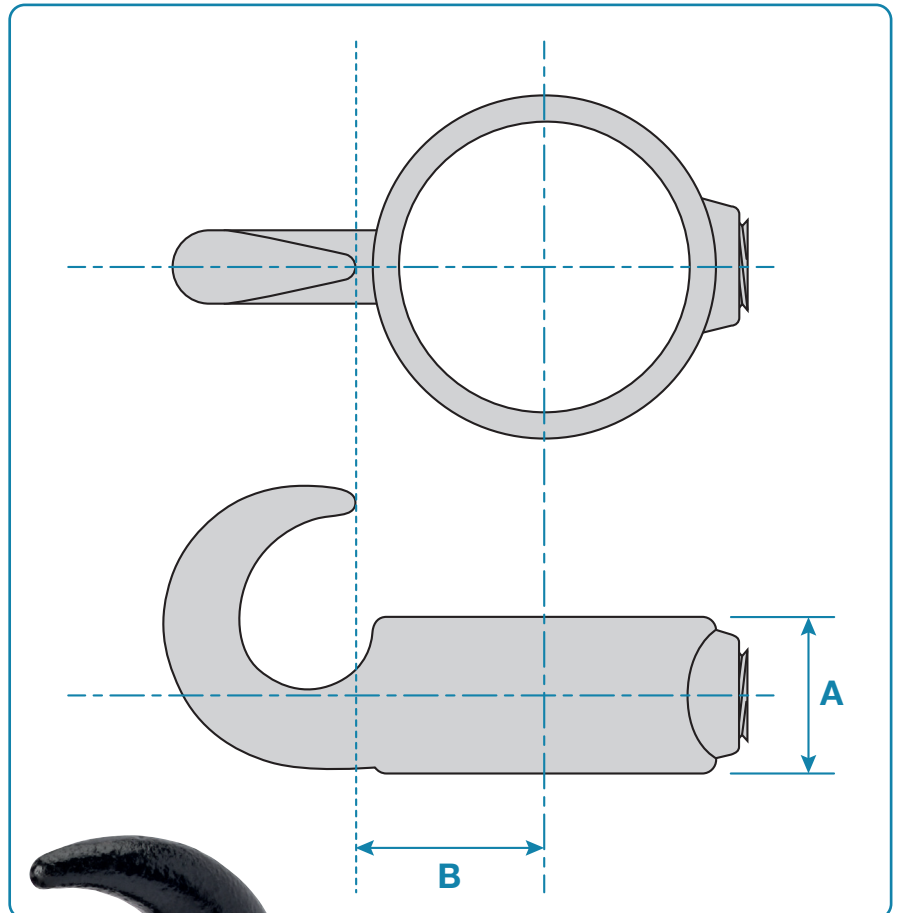


A simple hook parallel to the tube direction, typical use is for locating chains in place across openings. It is not recommended as a permanent chain location. This clamp does not allow tubes to be joined within the fitting.



Please Note: Dimensions for guide only. Components may vary slightly from the sizes shown.

Updated: 30-07-2024

Code	A	B	Weight
KCE182B	24mm	34mm	0.17kg