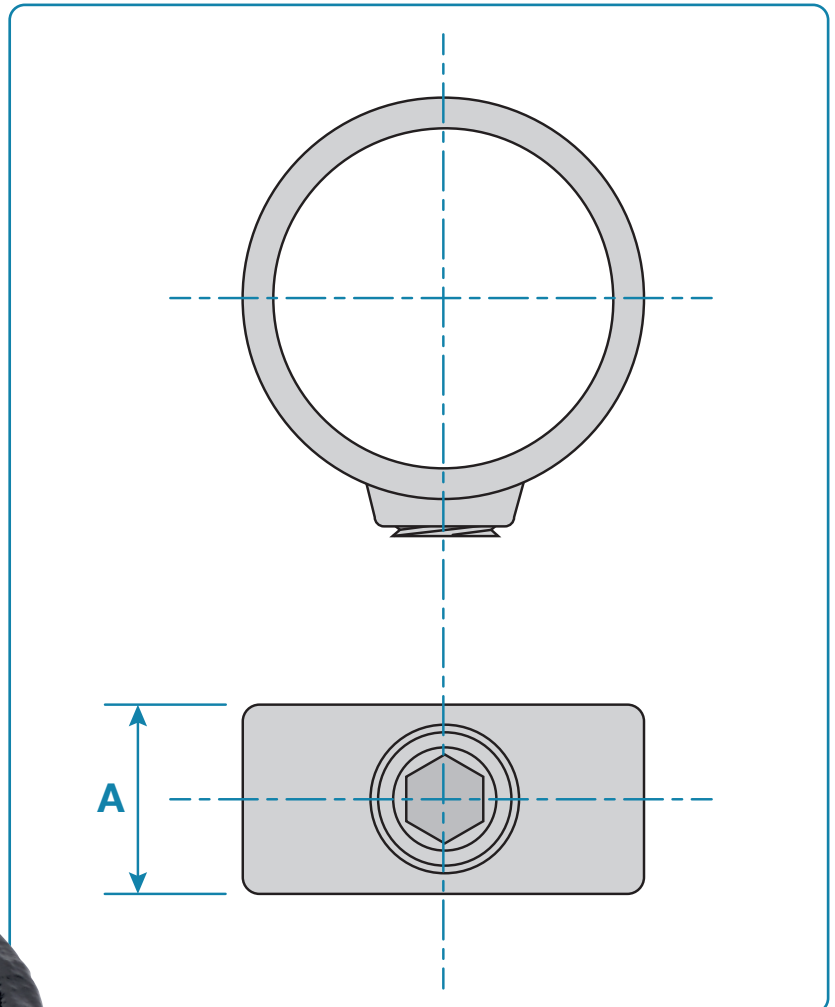


A simple locking ring fitting, typical used to provide extra support on structures such as racking systems where the slip load on the set screw may be exceeded. This clamp can also be used as the pivot point for a heavy duty gate hinge. This clamp does not allow tubes to be joined within the fitting.



Please Note: Dimensions for guide only. Components may vary slightly from the sizes shown.

Updated: 30-07-2024

Code	A	Weight
KCE179B	24mm	0.11kg