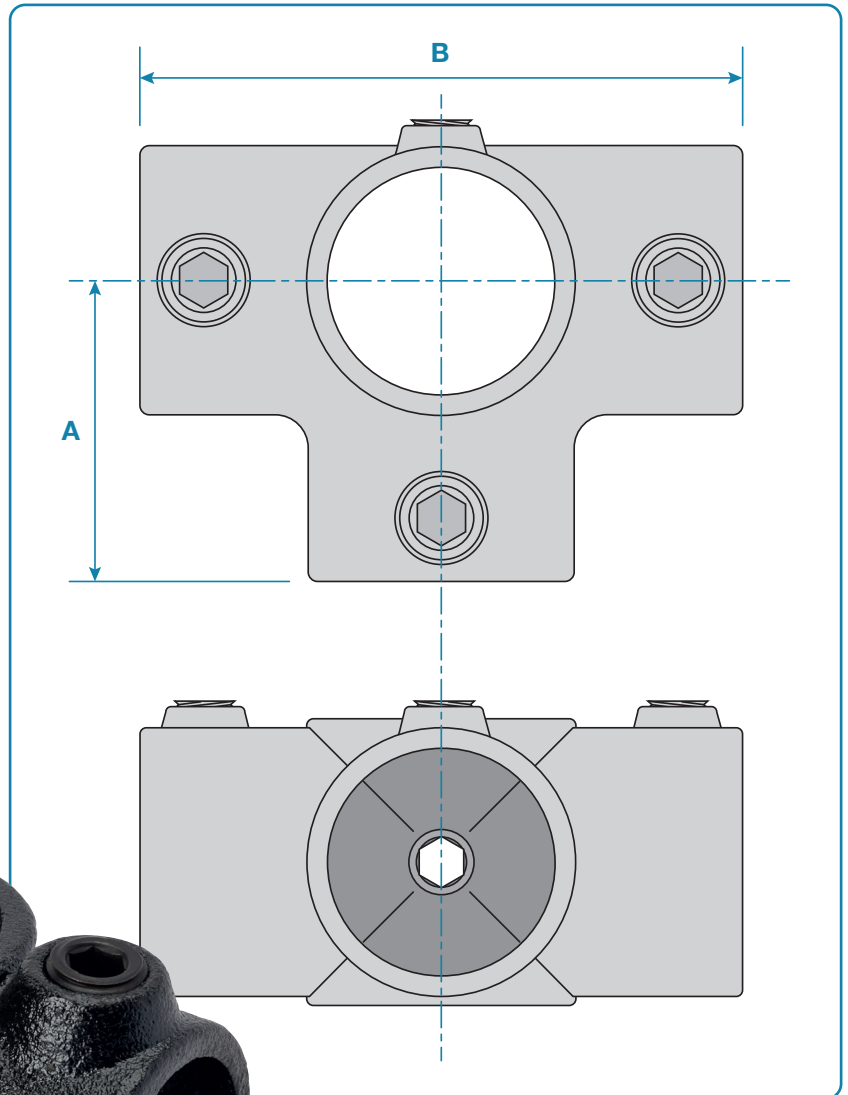


A three way side outlet tee allowing three tubes to join at 90° to each other with the vertical passing through the fitting. Typical use would be on structures such as market stalls or play frames. This clamp does not allow tubes to be joined within the fitting.



Please Note: Dimensions for guide only. Components may vary slightly from the sizes shown.

Updated: 30-07-2024

Code	A	B	Weight
KCE176B	48mm	96mm	0.51kg