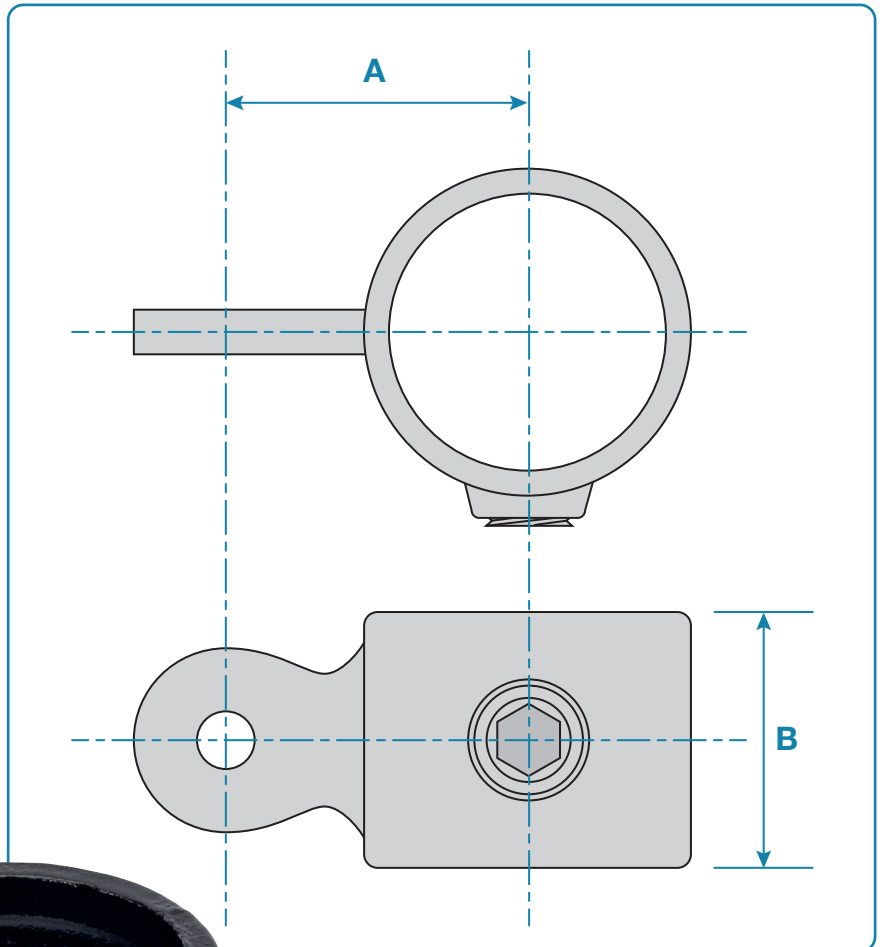


A single male in-line fitting with one lug, the male part of the 173 swivel combination, it can also be used to secure various types of infill panel in place. THIS CLAMP IS NOT DESIGNED TO WITHSTAND LATERAL LOADS.



Please Note: Dimensions for guide only. Components may vary slightly from the sizes shown.

Updated: 30-07-2024

Code	C	D	Weight
KCE173MB	44mm	39mm	0.24kg