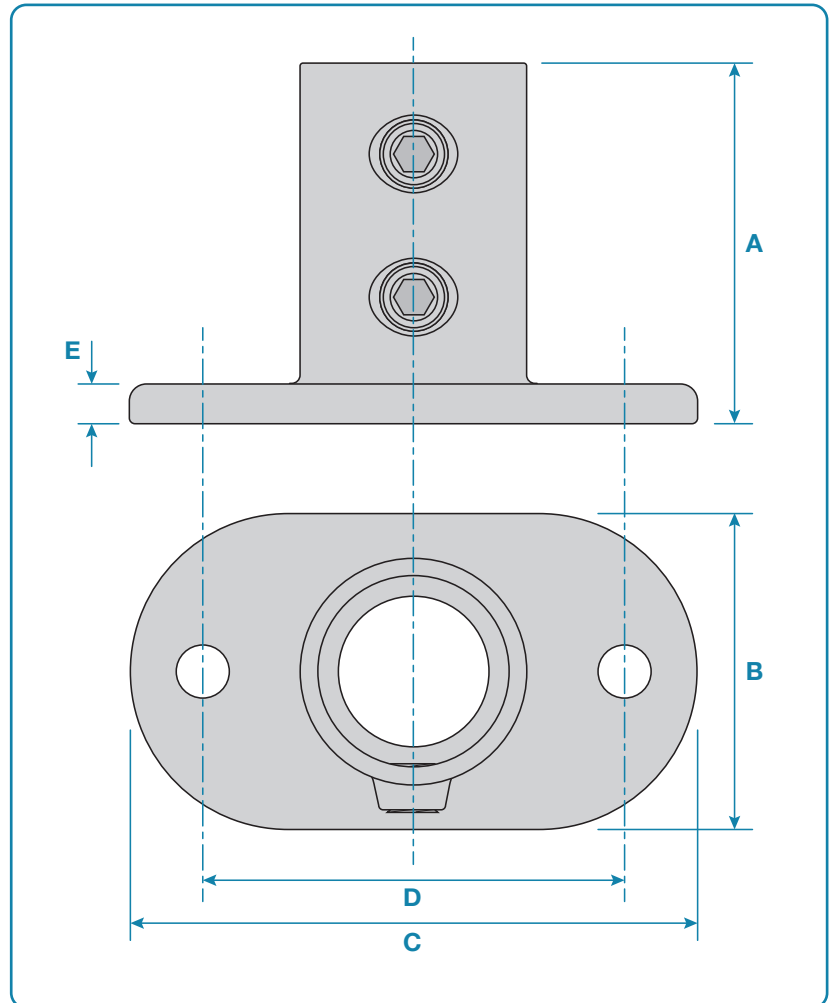


A structural base plate for all aspects of vertical post support. When using this fitting as the base plate for a guardrail system the fitting should be positioned with holes 90° to the line of the rails to give maximum stability.



Please Note: Dimensions for guide only. Components may vary slightly from the sizes shown.

Updated: 30-07-2024

Code	A	B	C	D	E	Hole dia.	Weight
KCE132B	75mm	65mm	126mm	88mm	8mm	14mm	0.70kg