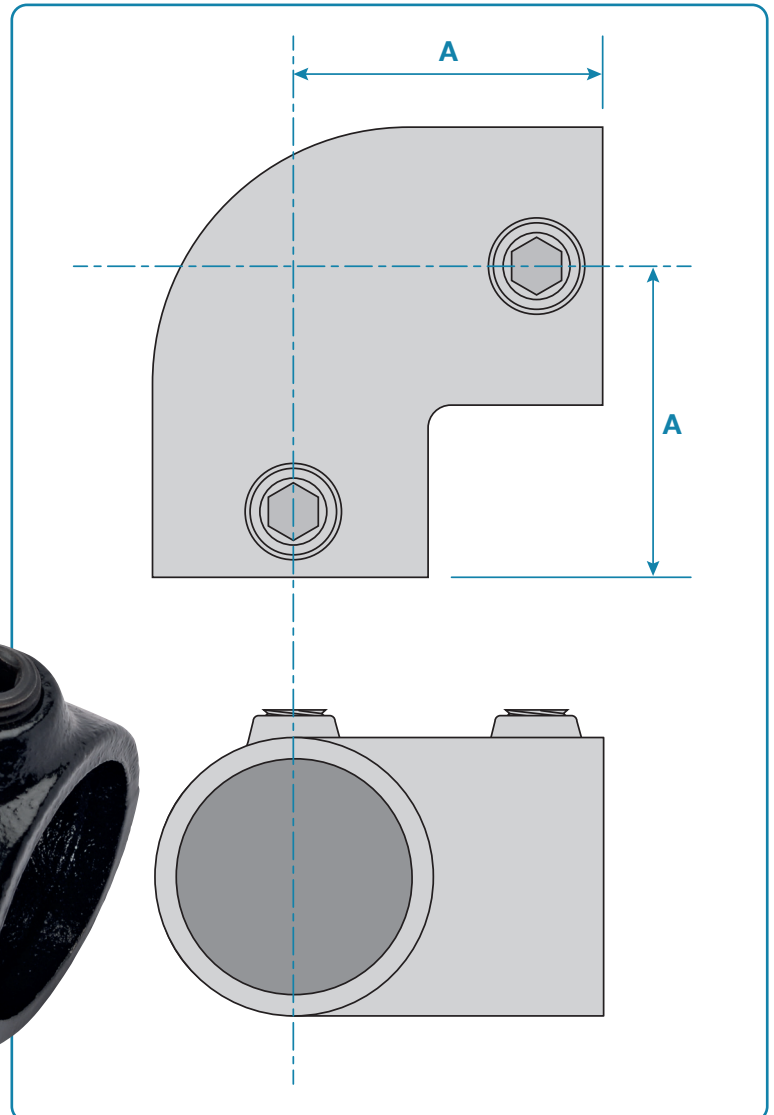


A 90° elbow connection between 2 tubes, typical use is on straight and level guardrail to connect the vertical post to the top rail. It is normally used in conjunction with KC101 when building a two rail guardrail system or creating a 90° tube bend.



**Please Note:** Dimensions for guide only. Components may vary slightly from the sizes shown.

Updated: 30-07-2024

Code	A	Weight
KCE125B	48mm	0.39kg