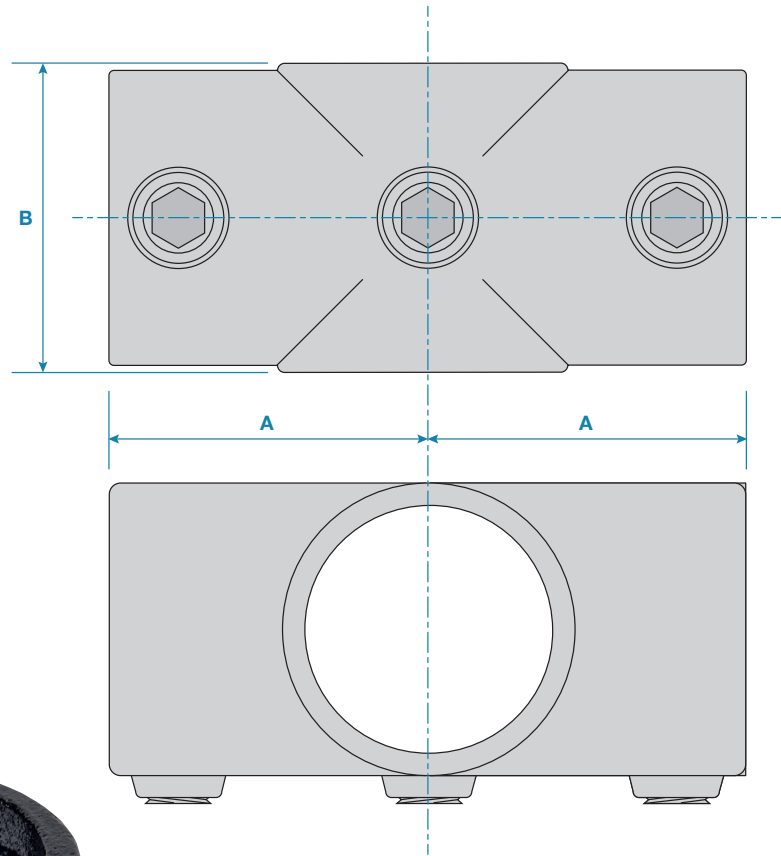


A 90° joint between a vertical and 2 horizontal rails, typical use is on straight and level guardrails for connecting the mid/ lower rail to the vertical. The vertical must remain continuous with the cross rails being cut.



Please Note: Dimensions for guide only. Components may vary slightly from the sizes shown.

Updated: 30-07-2024

Code	A	B	Weight
KCE119B	48mm	49mm	0.41kg