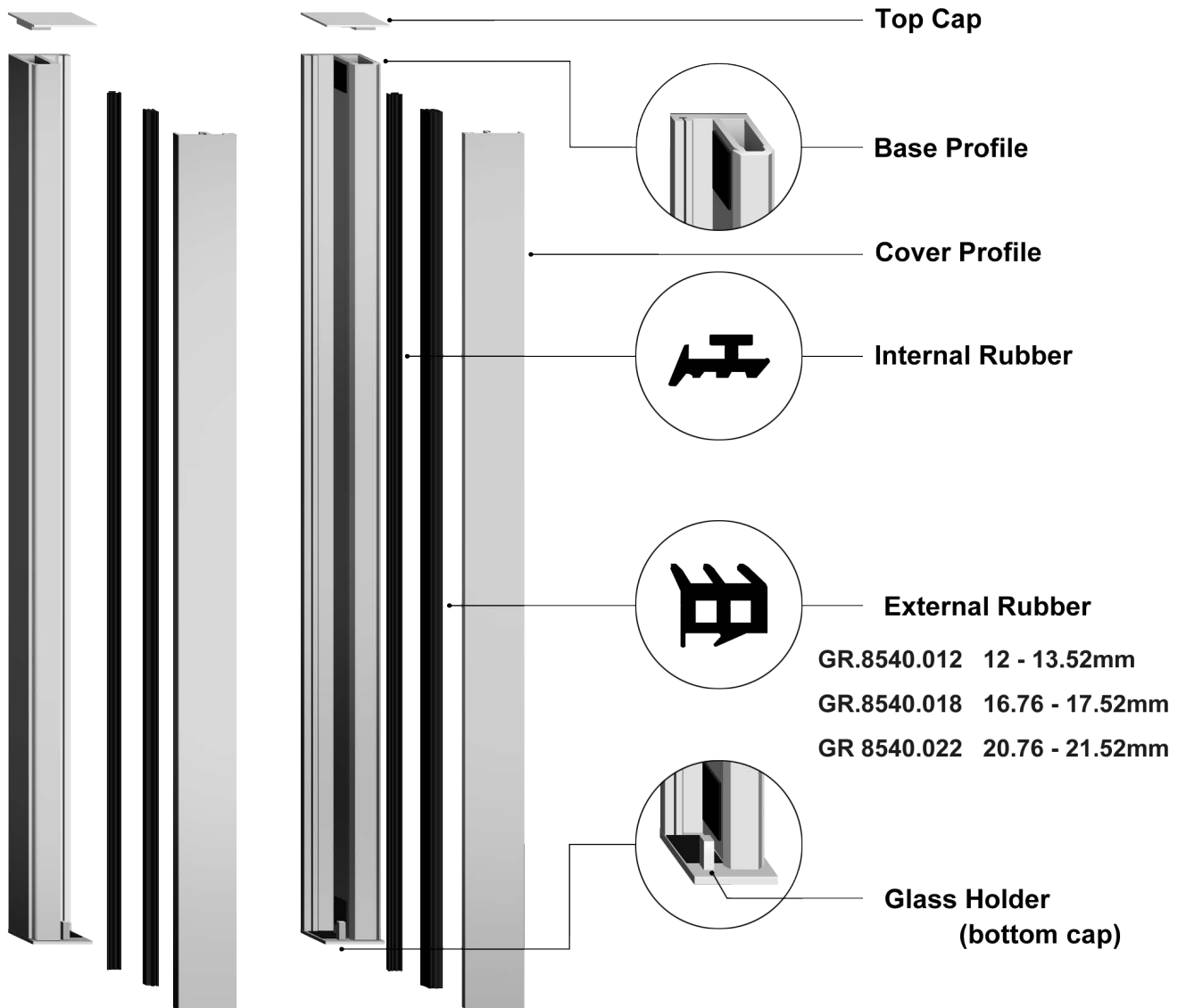
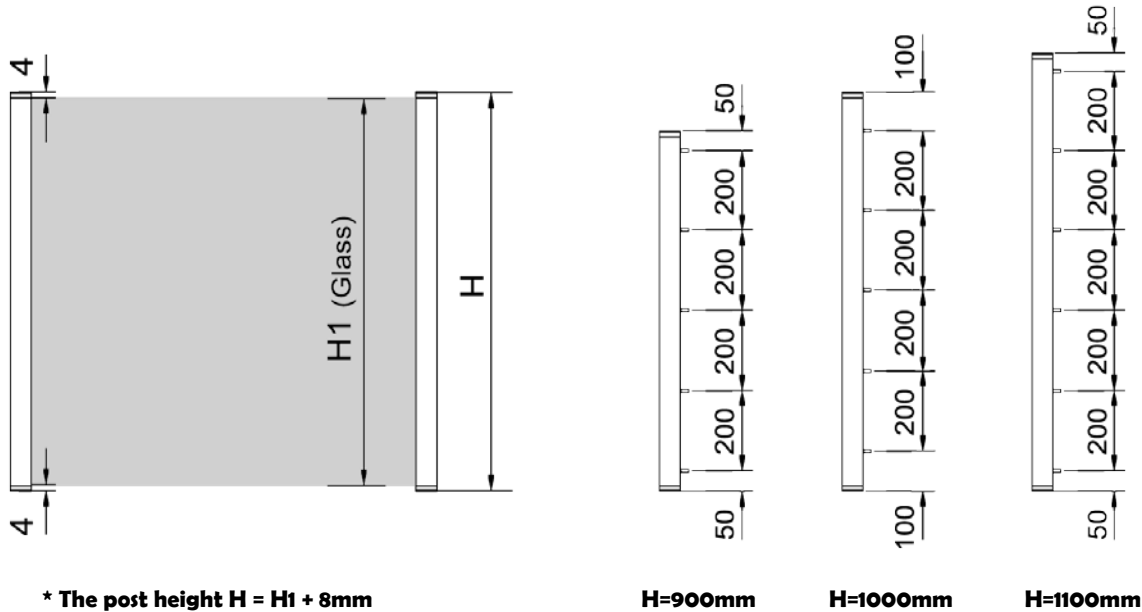


- ✓ Approved to BS6180 for 1,5kN line load
- ✓ Top mount and Side Mount are both available
- ✓ Height is customizable, multi surface options





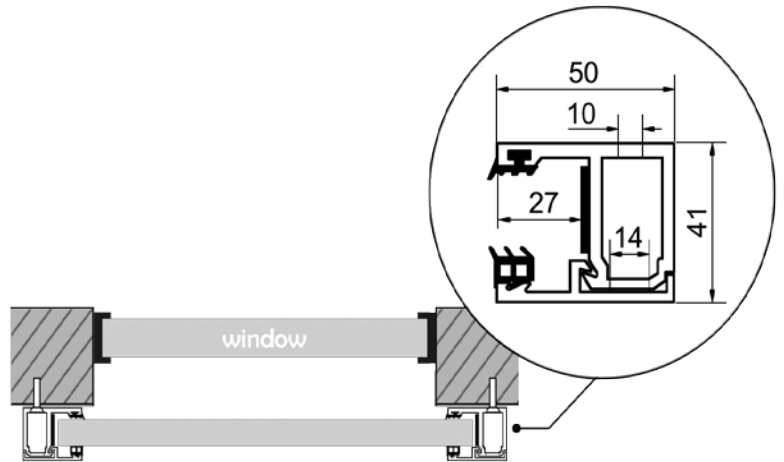
TOP MOUNTED Lineload Test

Glass Type (WxH)	Load Achieved Load(kN/m)	Maximum Displacement(mm)	Classification
1200x1100 12.76	1.5	6.07	Pass
1500x1100 21.52	1.5	5.09	Pass
1800x1100 17.52	1.5	7.50	Pass
2350x1100 21.52	1.5	6.30	Pass

SIDE MOUNTED Lineload Test

Glass Type (WxH)	Load Achieved Load(kN/m)	Maximum Displacement(mm)	Classification
1200x1100 12.76	1.5	4.98	Pass
1500x1100 21.52	1.5	5.78	Pass
1800x1100 17.52	1.5	6.75	Pass
2350x1100 21.52	1.5	4.92	Pass

TOP MOUNTED

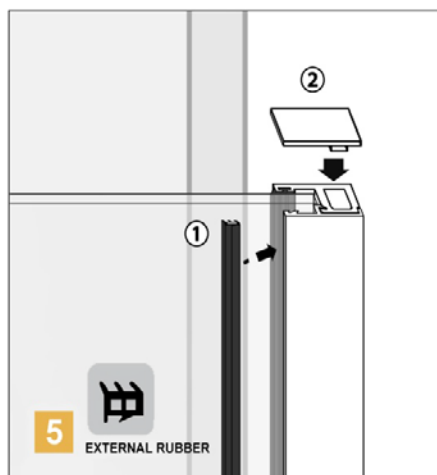
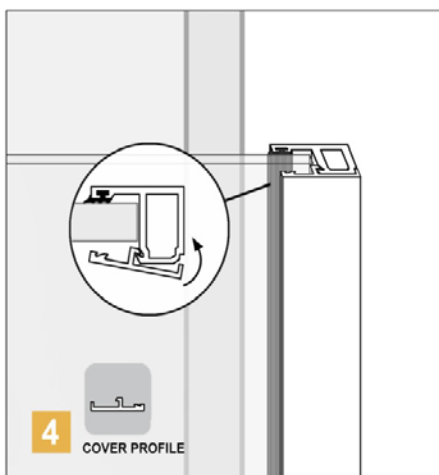
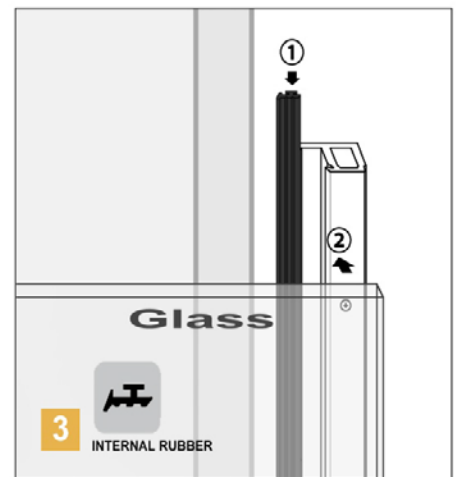
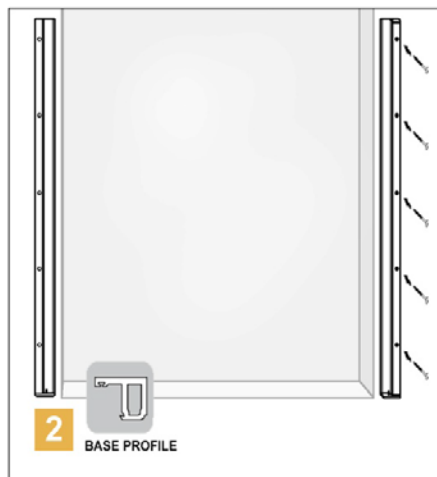
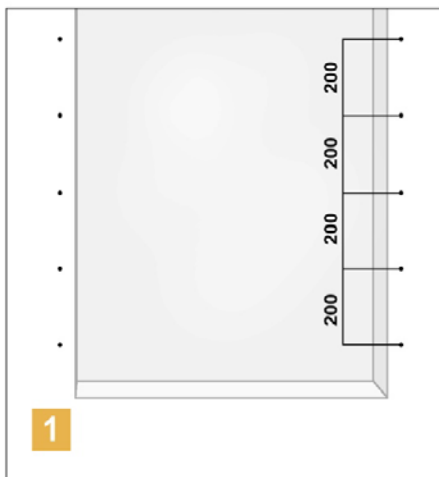


R6. 8540.090 H = 900mm

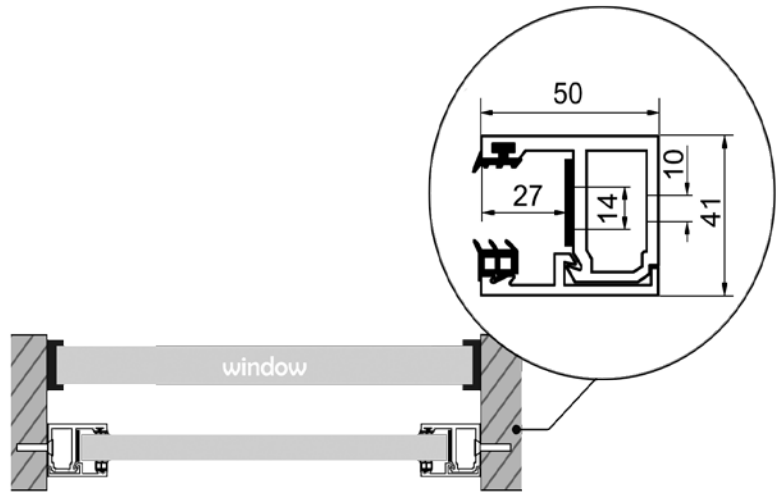
R6. 8540.100 H = 1000mm

R6. 8540.110 H = 1100mm

- INSTALLATION



SIDE MOUNTED



R6. 8541.090 H = 900mm

R6. 8541.100 H = 1000mm

R6. 8541.110 H = 1100mm

- INSTALLATION

