

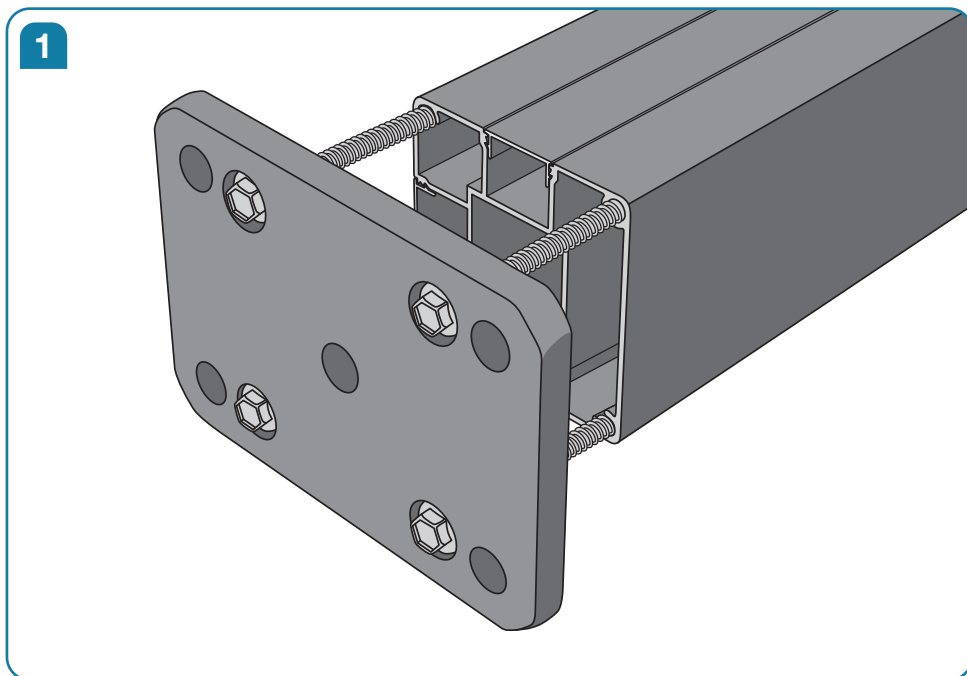
Composite Fence System

Installation Guide

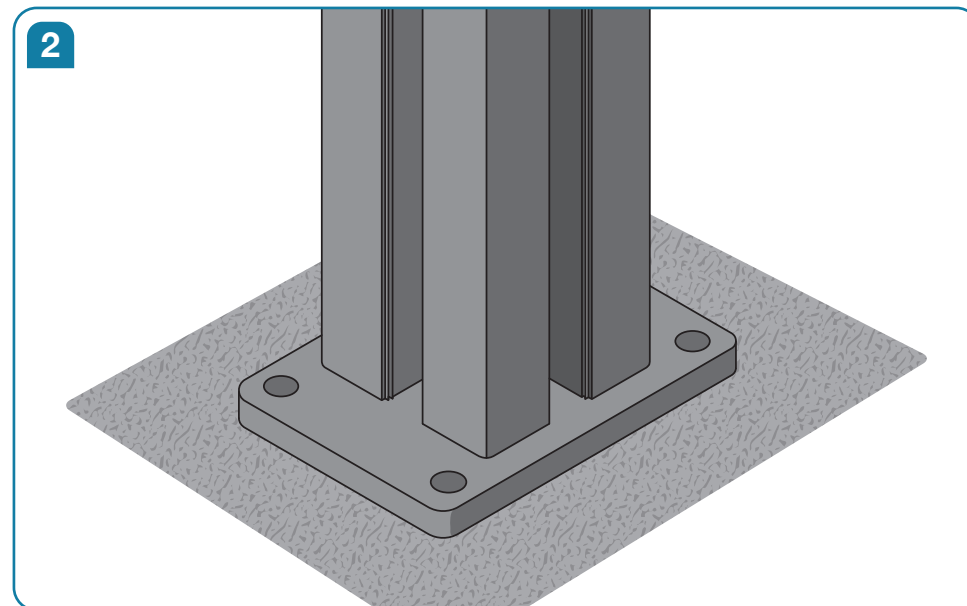
Our composite board fence system gives a post to post centre finish of 2038mm without any cutting of the boards. Start by marking out the position of your fence with a string line and position stakes or other markers at 2038mm centres to show the intended post locations.

Dig holes in the post locations and fill with concrete foundation material for your post bases, ensuring that your finished concrete pads are true and level with each other. Once your post bases are dry follow this guide to fit your fence posts and panels.

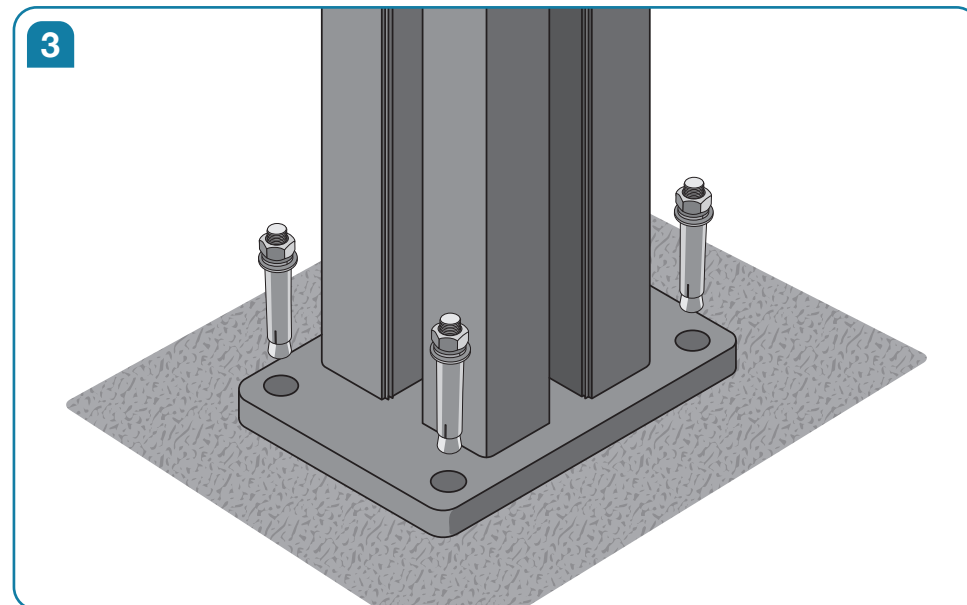
Each post is supplied with an extra 650mm of blanking plate, to be cut to size to fill the top and bottom gaps above and below the rails and boards.



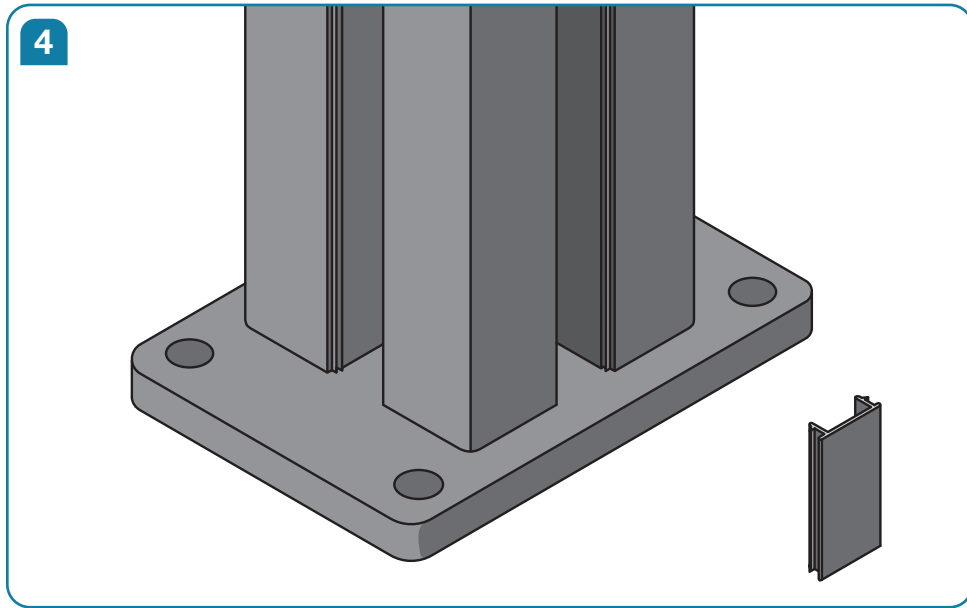
The posts are supplied at a length of 2350mm and can be concreted in or fixed using the post base plates. If using the post base plates attach them to the posts with the four screws provided.



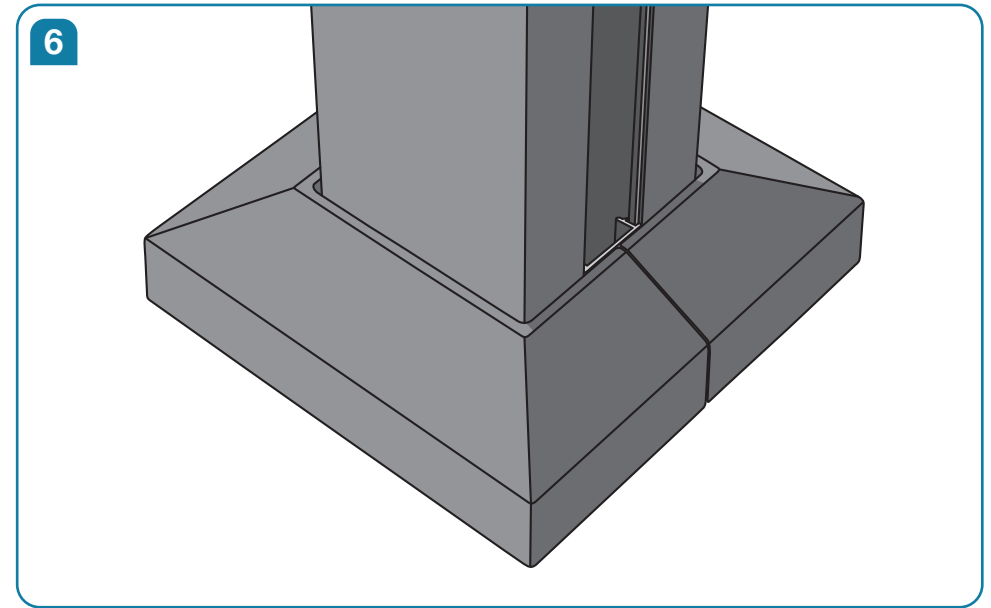
Once your foundation pads are dry, position your post base in the centre of the pad and mark out and drill the fixing hole positions.



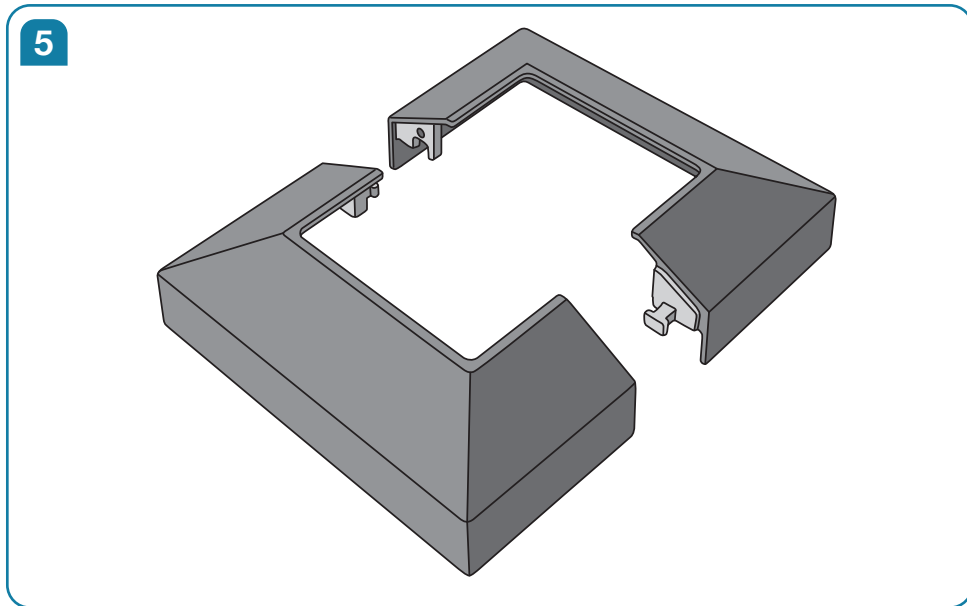
Bolt down the posts using anchor bolts or suitable fixings of your choice.



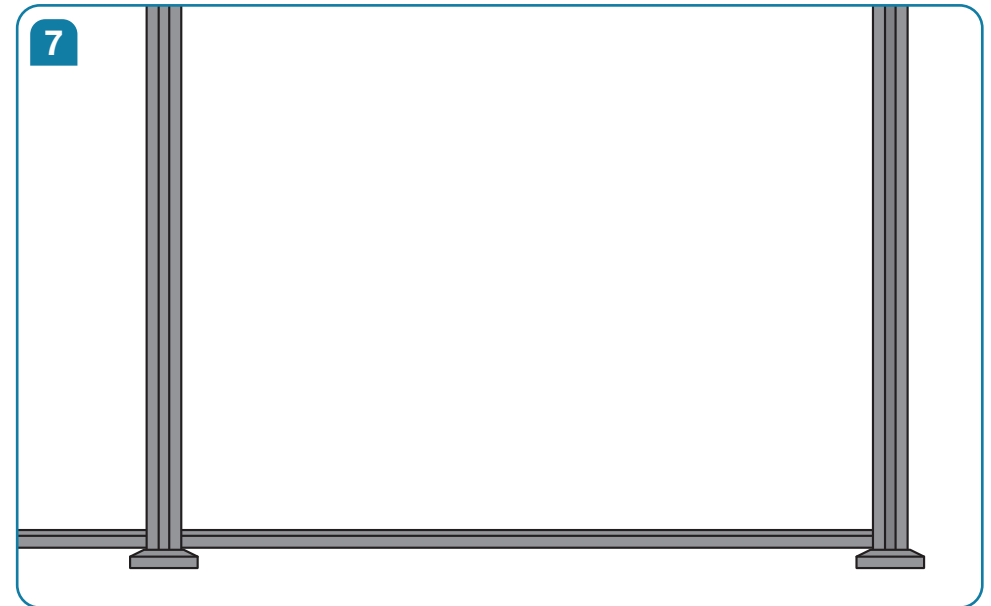
Cut and fit a small section of the blanking plate into each slot that boards will be going into. Minimum of 40mm high to allow for base covers.



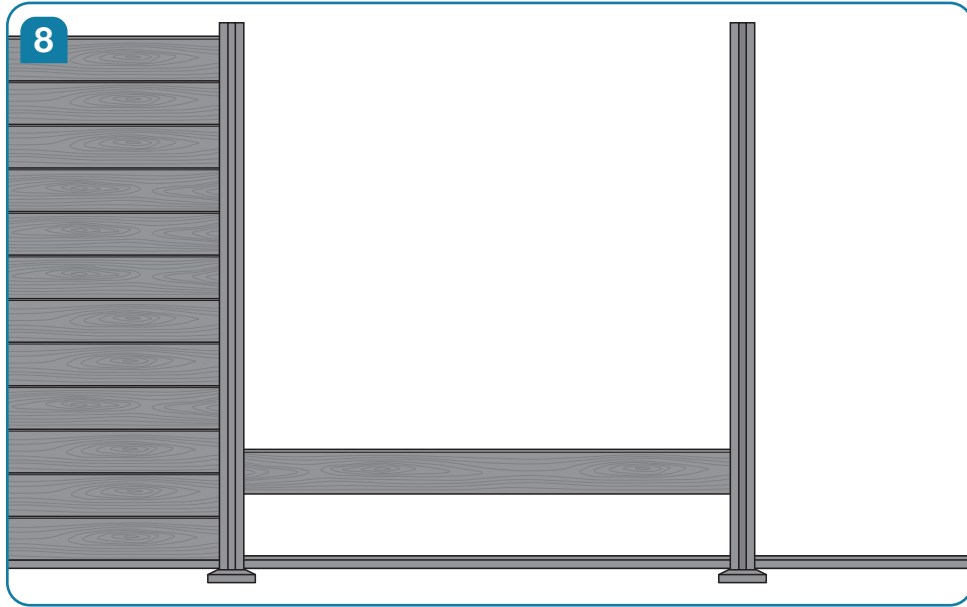
It's best to fit the base plates at this stage as it will be tricky to install them at the end of the process.



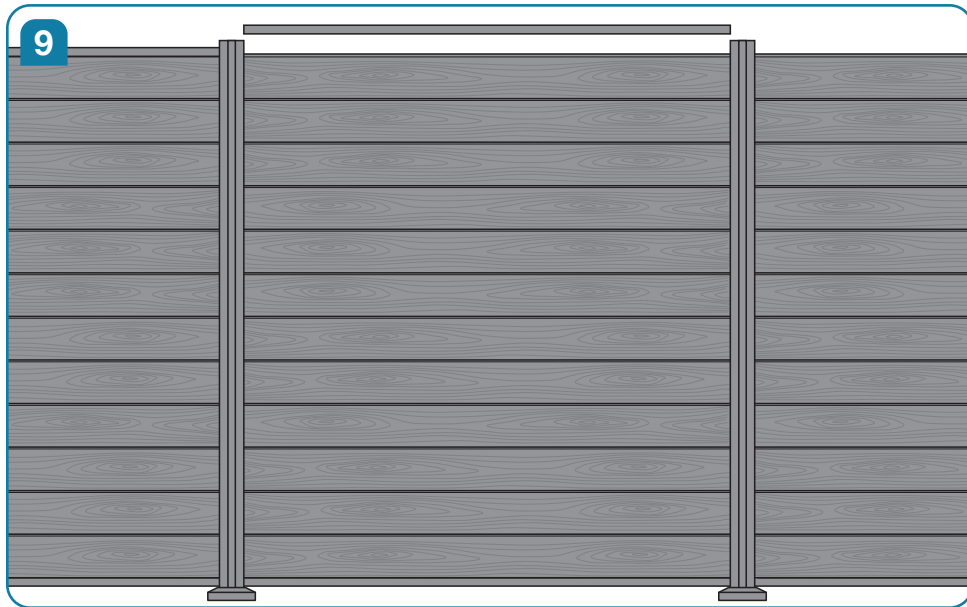
Separate the two halves of the base cover plates. Fill any slots in the posts that aren't being used with the supplied blanking plates.



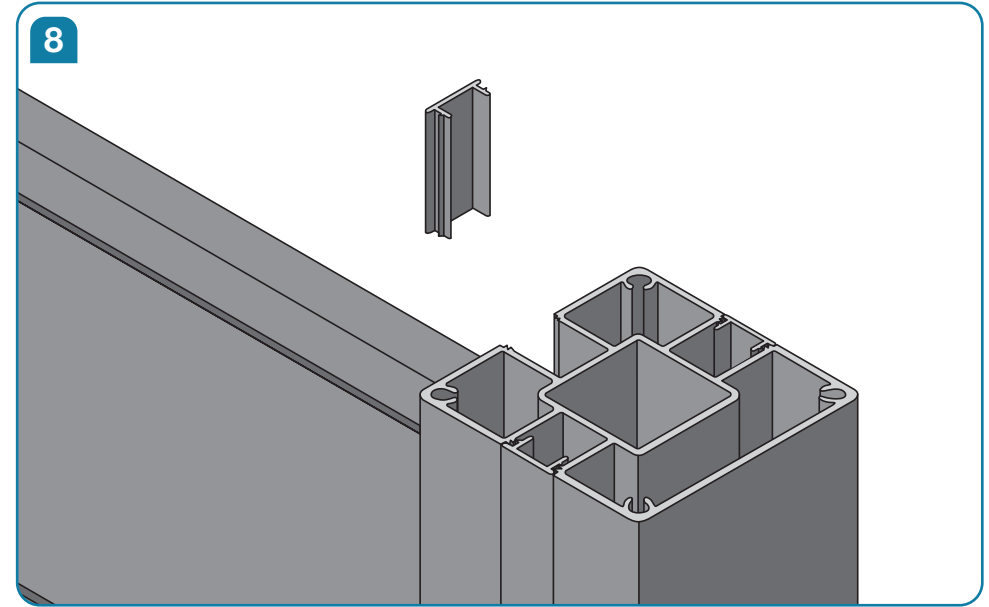
Install the bottom rail into the slots on the posts. The bottom rail has a tongue to engage the first board this should be pointing up.



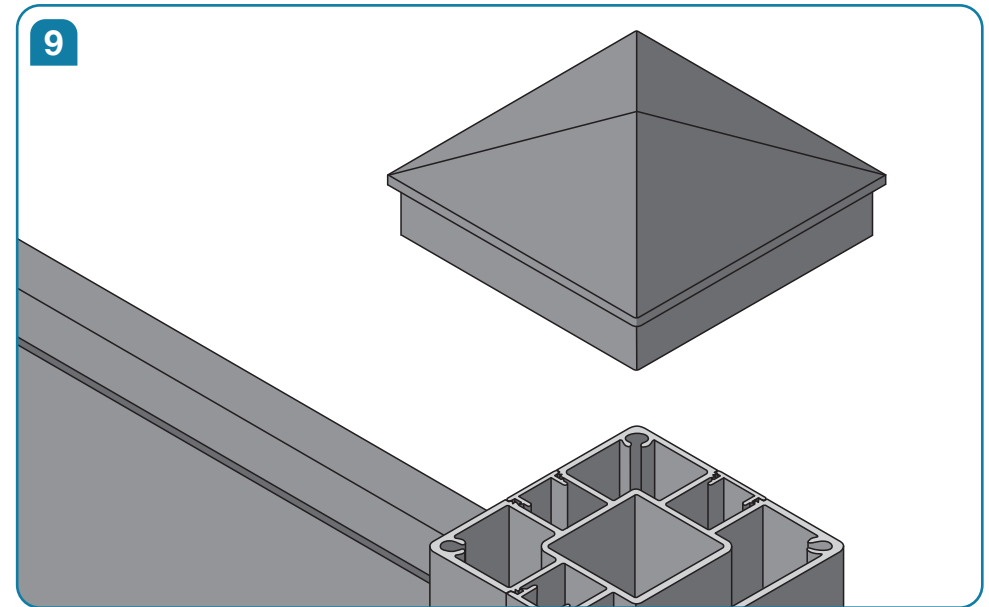
Install the boards tongue pointing up so that they sit snugly onto the bottom rails.



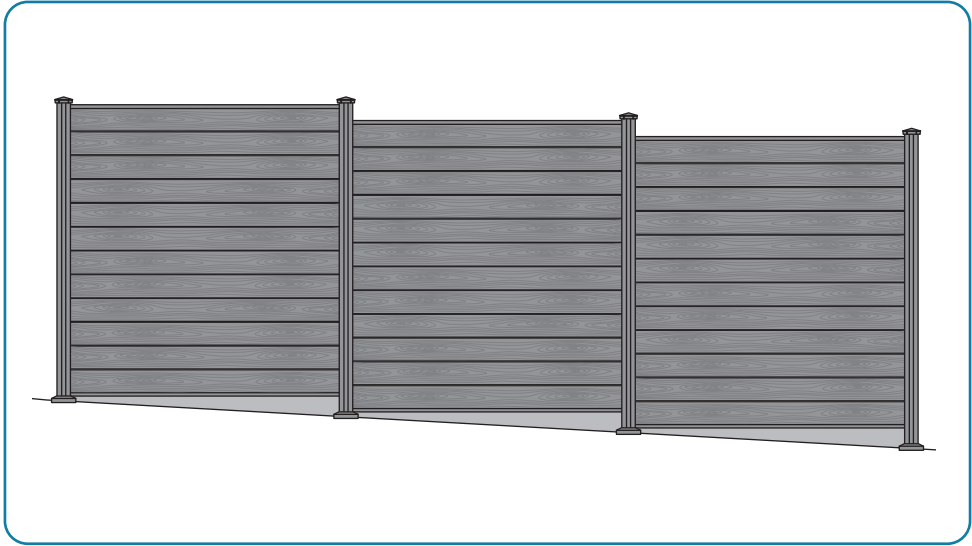
Now the top rails can be slotted into place. Top rails have a groove to cover the tongue of the top board.



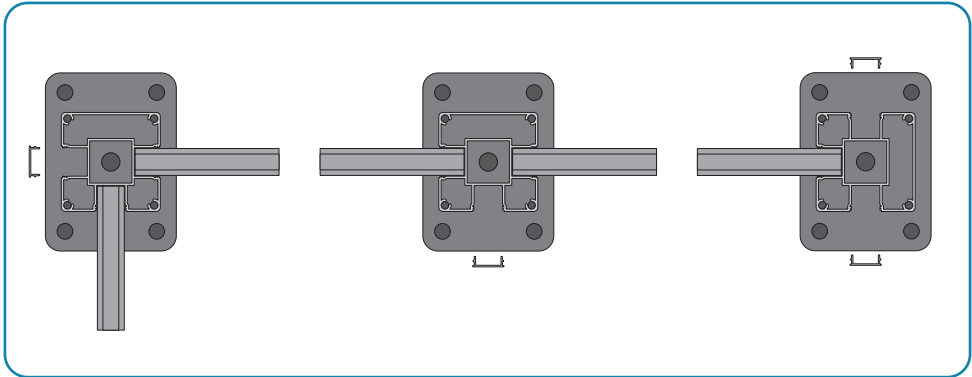
Cut another section of the blanking plate to cover the rest of the slot in the post.



The post caps can now be fitted to finish off the job.



On sloping sites we recommend the use of a gravel board under the base rail.



Our posts can be used as corner, mid or end posts. Cover the unused slots with the blanking plates provided with each post.